

CAB-E

Strain Generator

● For checking strain measuring instruments



CAB-120E

Compact & lightweight Suitable for checking strain amplifiers

The CAB-E is a compact & lightweight device, which generates equivalent strains to check strain measuring instruments. Strain level is set with STRAIN and RANGE dials in combination. The CAB-E is compatible with remote sensing.

No power supply is required.

Models

Models	I/O Resistance, Accuracy	Excitation Voltage
CAB-120E	120 Ω, -10% to 1%	4 VDC or less
CAB-350E	350 Ω, -10% to 1%	12 VDC or less

Specifications

Equivalent Strain	RANGE dials: 4 steps of x-500, x-100, x100 and x500 STRAIN dials: 11 steps of 0, 1, 2, 3, 4, 5, 6, 7, 8, 9, and 10 × 10 ⁻⁶ strain
	Generated strain level is determined by setting of both dials.
Accuracy	Within ±(1.5% of setting + 5 × 10 ⁻⁶ strain)
Gage Factor	2.0 fixed
I/O Resistance & Accuracy	See table above.
Excitation Voltage	See table above.
Operating Temperature	0 to 45°C
Operating Humidity	20 to 80% (Non-condensing)
Output Connectors	NDIS4102 (7 pins) connector
Dimensions	122 W x 70 H x 52 D mm
Weight	Approx. 350 g

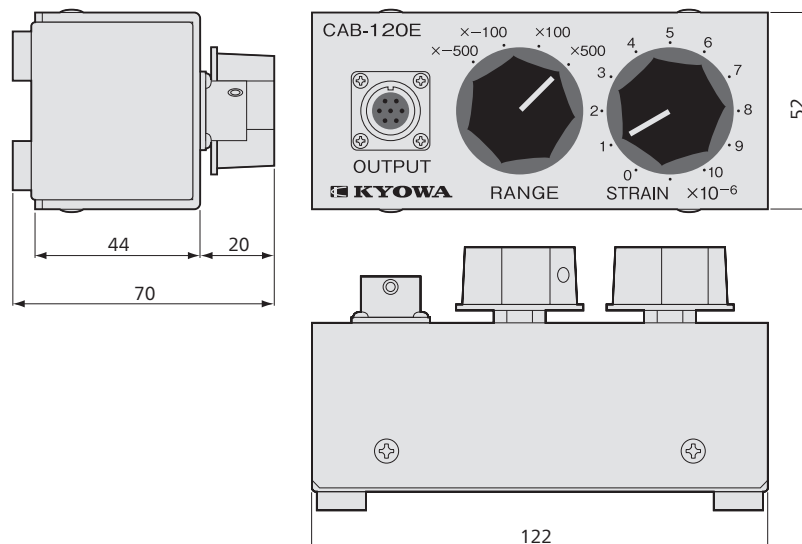
Standard Accessories

Connection cable (With NDIS4102 (7 pins) connectors at both ends, 1 m)

Notes:

1. Since the CAB-E is designed to be compatible with remote sensing, it mustn't be used for systems such as MCF, CDV cards, DIS, etc. with which F and G terminals of input NDIS4102 (7 pins) connector are used for other purposes.
2. It is not recommended to use for carrier-type strain amplifiers such as DPM series.
3. Since the CAB-E has a special circuit structure, the stated accuracy may not be satisfied depending on measuring instruments under test.
4. The CAB-E is designed for checking and is not for calibration.

■ Dimensions



Instrumentation Amplifiers

Outline

Amplifier

Checker

Other